

# LAKELAND VARSITY VOLLEYBALL INVITATIONAL

September 10<sup>th</sup>, 2011 ~ 1630 Bogie Lake Road White Lake, MI 48383

## Tournament Info:

- Gym will open and be available for warm-up at 7:00 a.m.
- Pool play will begin at 8:00 a.m.
- Please bring your own practice/warm up balls!!
- Each team will be assigned a designated table for food and bags in the Cafeteria.
- Coaches - we encourage you to help us by making sure that your area is cleaned and picked up prior to your departure. Also make sure that only water bottles are permitted on to the courts during play.

## Warm-up:

- 4 minutes per team - serving is included - prior to 1<sup>st</sup> match
- 3 minutes after each team's 1<sup>st</sup> match (shared time) NO BALLS!!!!
- Please no ball handling anywhere in the building other than in the Main or Aux gym.

## Format:

- First & Second round matches are best 2 out of 3. First two games cap at 27, 3rd game cap at 17
- Next match will start immediately after completion of previous match. Besides 1<sup>st</sup> match of each round, previous loser will be the reffing team.
- Team listed on TOP will serve first.

## Play-offs:

- Everyone advances to playoffs
- Playoffs will be best 2 out of 3 games (1<sup>st</sup> two games to 25 pts no cap, 3rd game to 15pts no cap)
- Captains will flip to determine serve/side
- 1<sup>st</sup> place teams from first round are guaranteed in the Gold Bracket (Pool E). 2<sup>nd</sup> and 3<sup>rd</sup> place teams from first round must get 1<sup>st</sup> or 2<sup>nd</sup> in second round (Pools F & G) to be in Gold Bracket. 4<sup>th</sup> place teams from first round are guaranteed in the Silver Bracket (Pool H). 3<sup>rd</sup> and 4<sup>th</sup> place teams from Pool F and G will also be in Silver Bracket.

## Court Set-Up:

Courts 1-3 will be in Main Gym, Court 4 will be in Aux Gym

## Trainer:

A trainer will be on site during the tournament.

## Admissions:

\$5.00 entry fee

## Awards:

T-shirts awarded for 1<sup>st</sup> place in Gold and All Tournament Team

## All-Tournament Team:

Top 12 players from the Tournament will be chosen and announced before Round 3 begins. Coaches will vote based on teams/players that they played against in their Round 1 & 2 matches.

## Tournament T-Shirts:

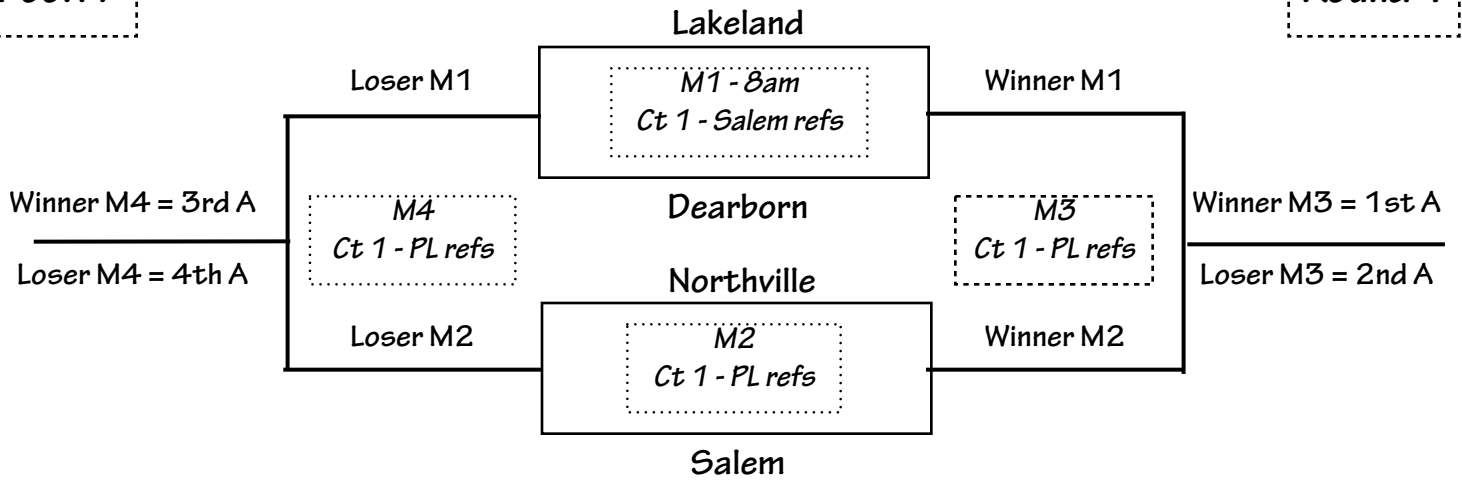
Will be on sale for \$ 10.

## Tournament T-Shirt Design:

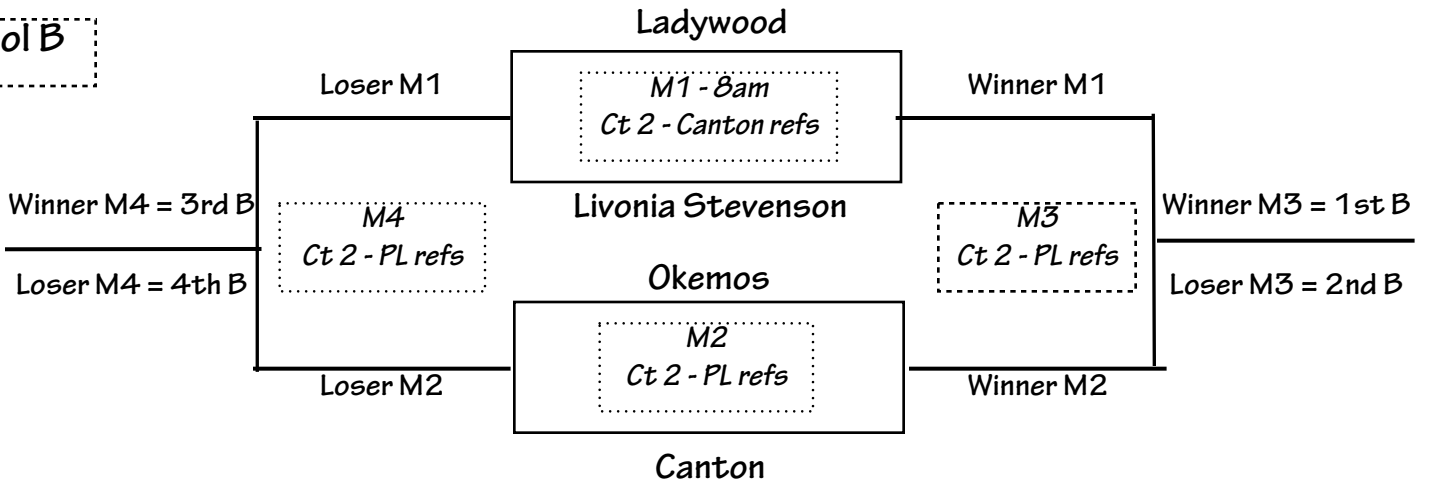


Pool A

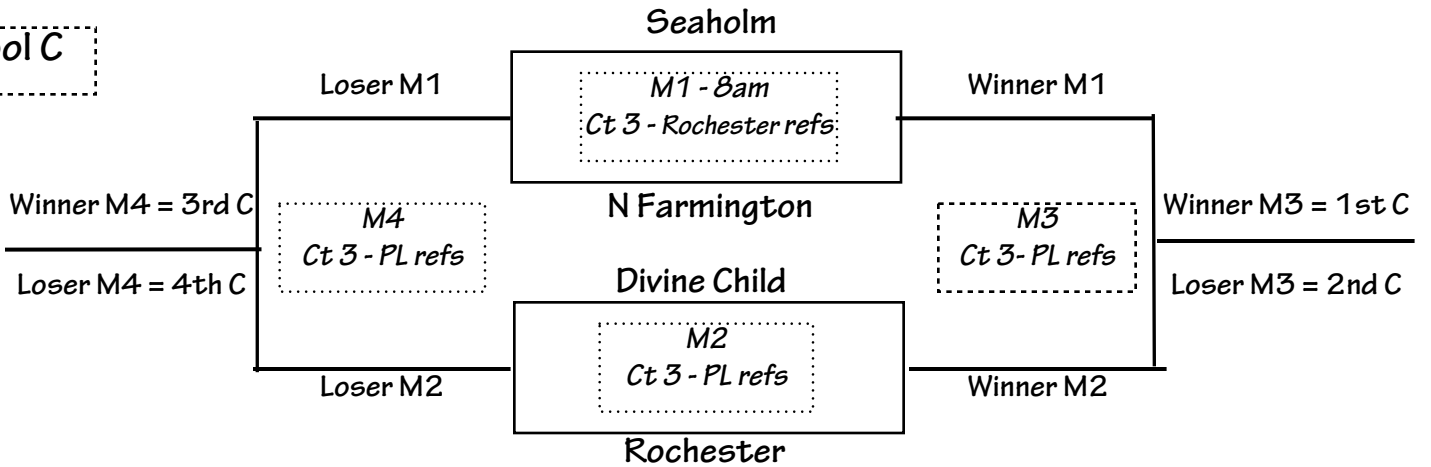
Round 1



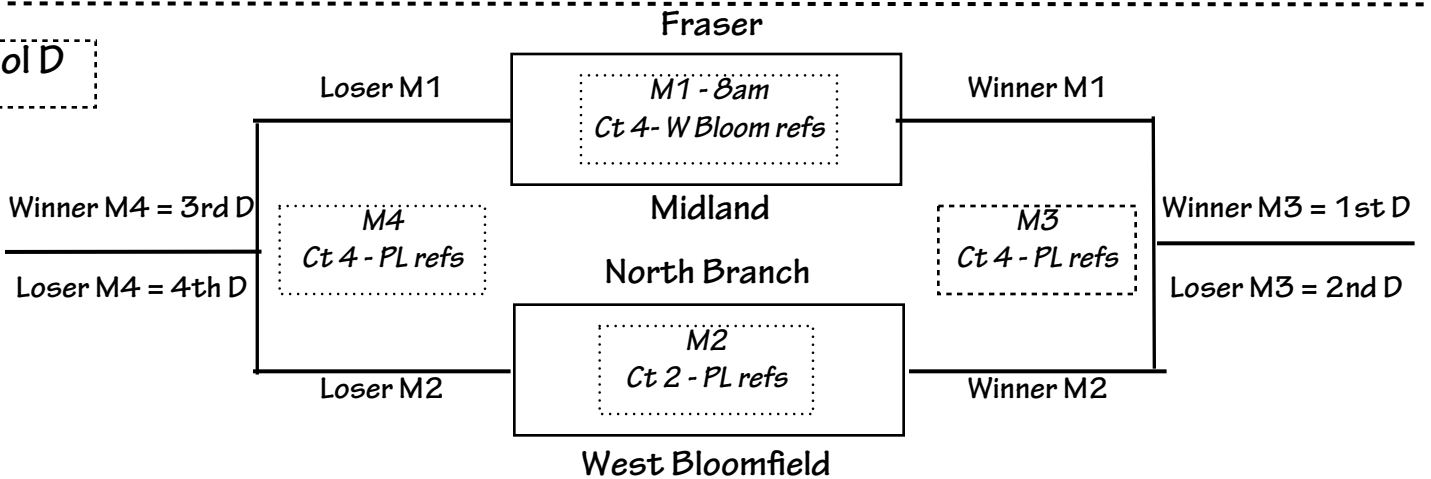
Pool B



Pool C

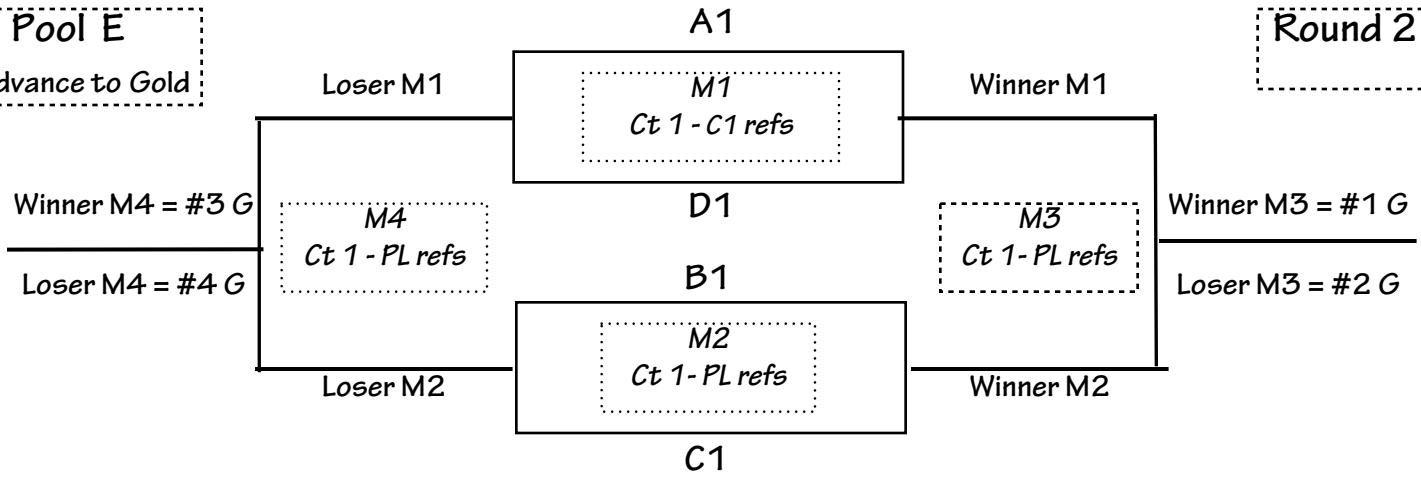


Pool D

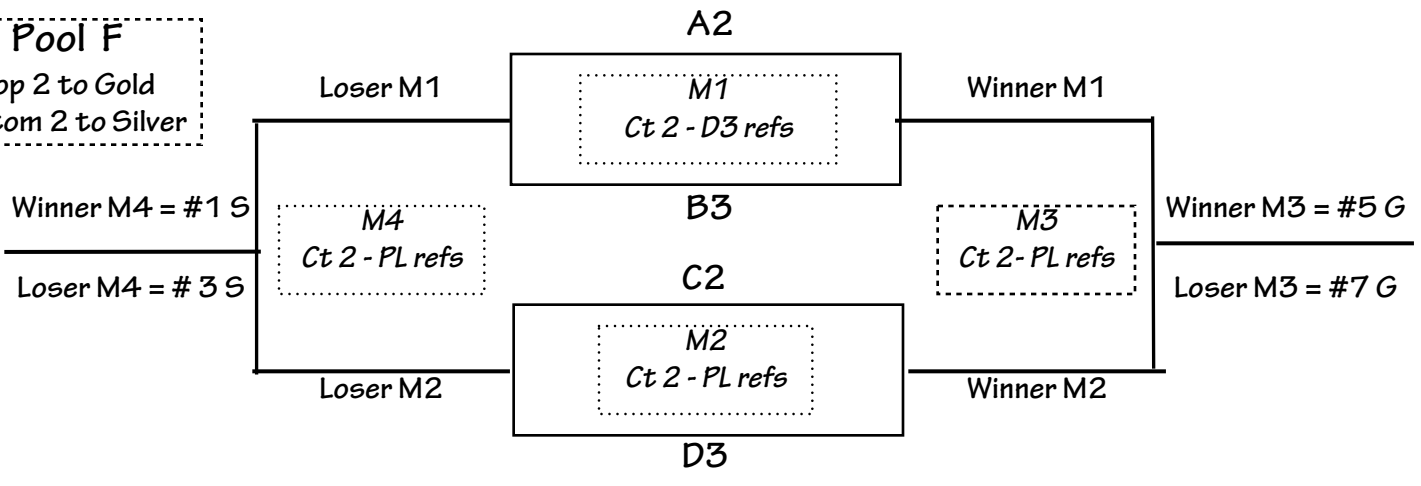


**Pool E**  
all advance to Gold

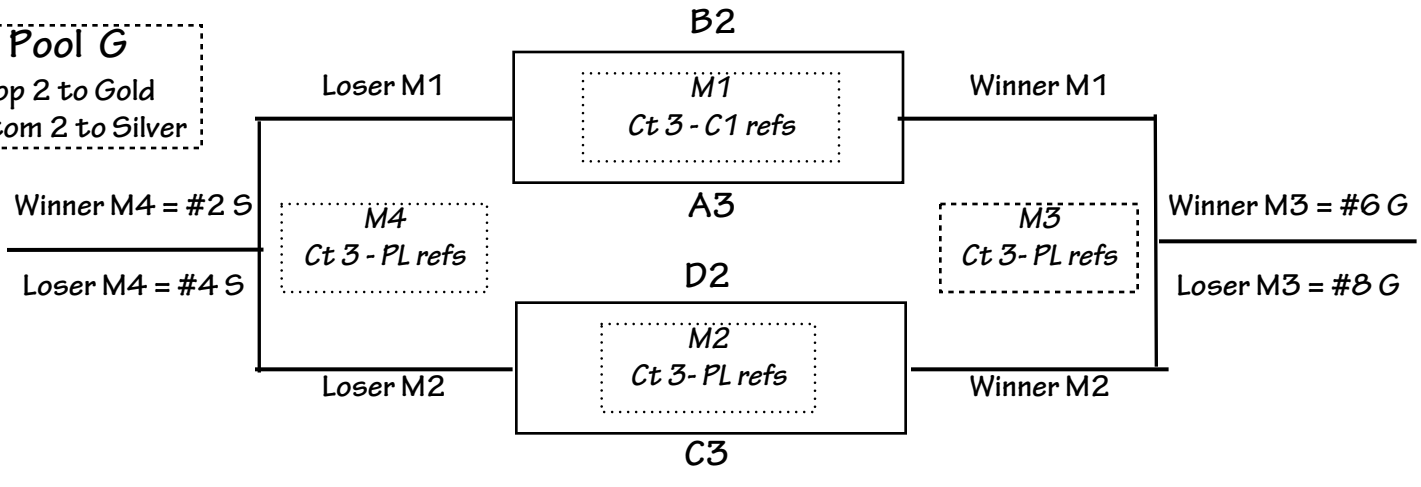
**Round 2**



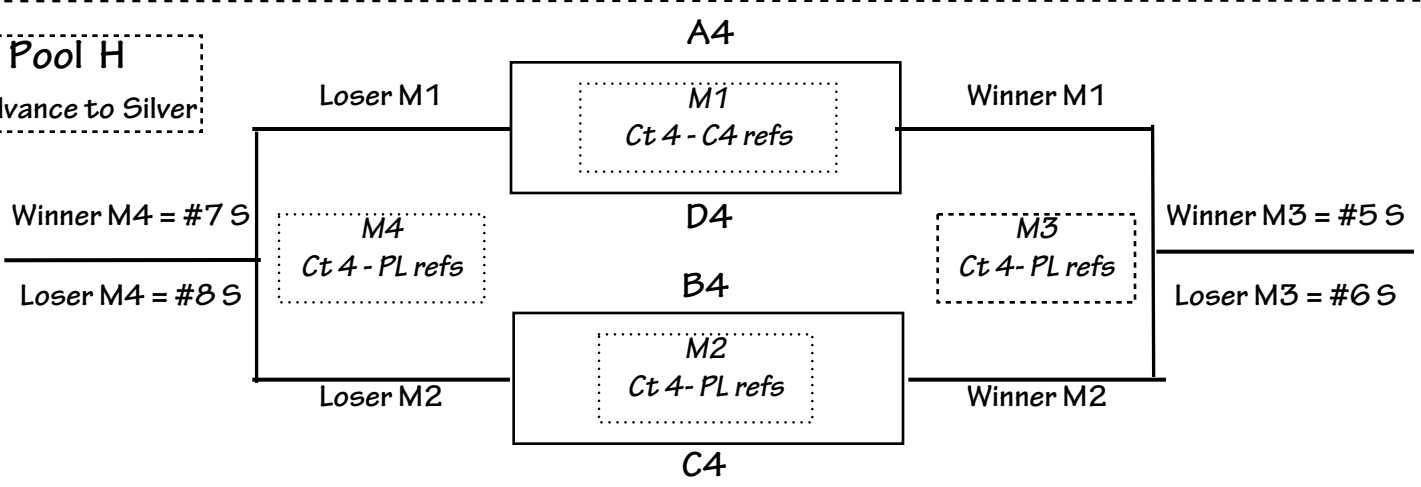
**Pool F**  
top 2 to Gold  
bottom 2 to Silver



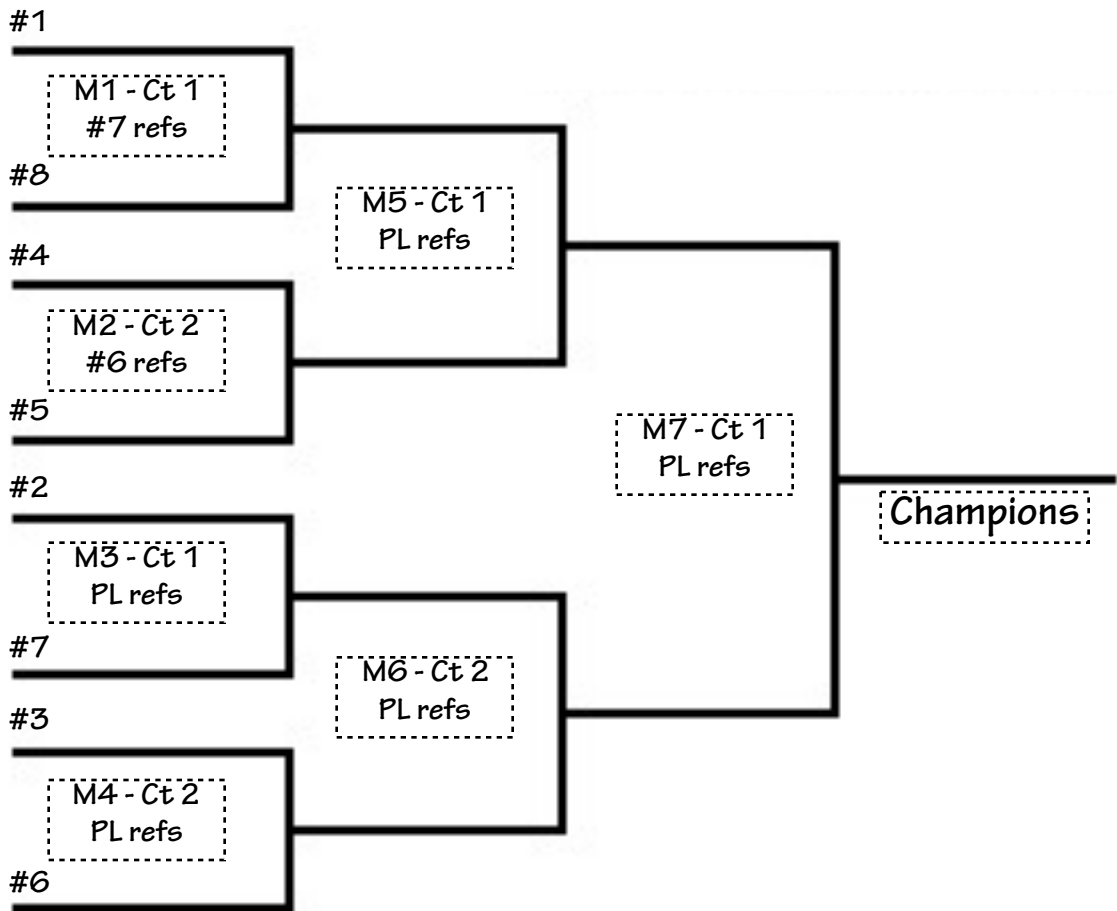
**Pool G**  
top 2 to Gold  
bottom 2 to Silver



**Pool H**  
all advance to Silver



Round 3  
GOLD Bracket



Round 3  
SILVER Bracket

